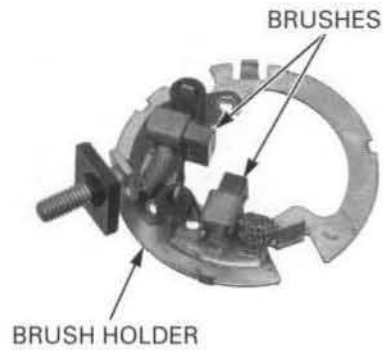


ELECTRIC STARTER

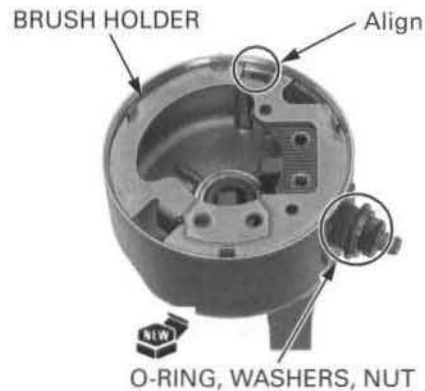
Install the brushes into the brush holder.



Install the brush holder assembly into the rear cover by aligning the tab of the holder with the groove in the rear cover.

Install the following:

- new O-ring
- insulator washers
- washer
- nut

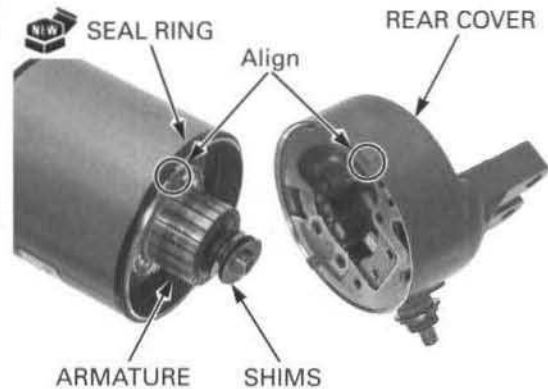


The coil may be damaged if the magnet pulls the armature against the case.

Install the armature into the motor case while holding the armature tightly to keep the magnet of the case from pulling the armature against it.

Install a new seal ring onto the motor case. Install the same number of shims in the same locations as noted during disassembly.

Install the rear cover while pushing in the brushes into the brush holder by aligning the brush holder tab with the motor case groove.



Install a new seal ring onto the motor case. Install the shims and insulated washer onto the armature shaft.

Apply grease to the dust seal lip and needle bearing in the front cover.

Install the lock washer onto the front cover and the front cover over the motor case.

