

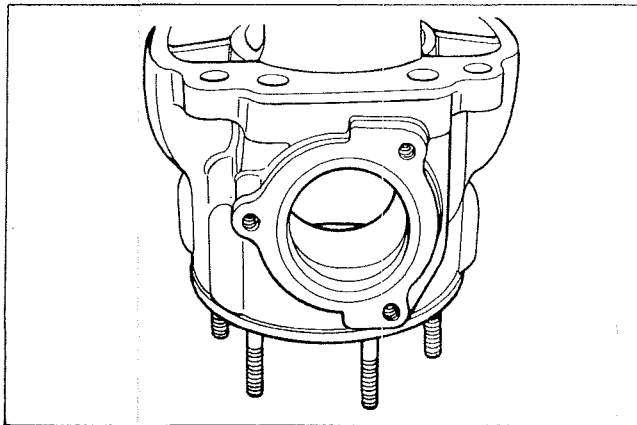
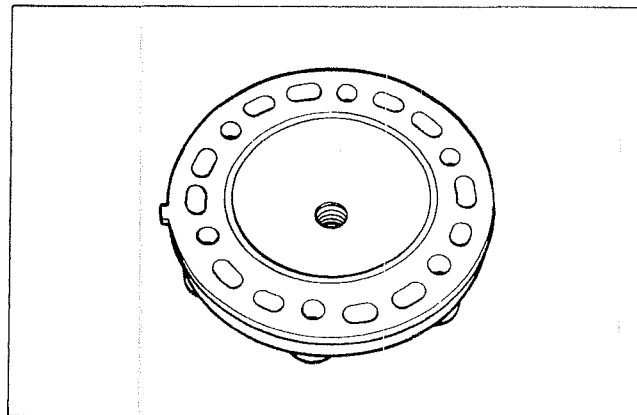
CYLINDER HEAD AND MUFFLER

Clean Every 6 months.

- Carbon deposits in the combustion chamber of the cylinder head and at the piston crown will raise the compression ratio and may cause pre-ignition or overheating.
- Carbon deposited at the exhaust port of the cylinder will prevent the flow of exhaust gas, reducing the output. Remove carbon deposits periodically.

NOTE:

For the removal, refer to page 3-9.



AIR CLEANER ELEMENT

Inspect Initially at 1 month and Every 3 months.

If the air cleaner is clogged with dust, intake resistance will be increased with a resultant decrease in power output and an increase in fuel consumption.

Check and clean the element more frequently. Check and clean the element in the following manner.

- Remove the seat.
- Remove the air cleaner case cover by loosening screw ①.
- Loosen and remove the retaining nut ② and take off the air cleaner element.

