

INTRODUCTION

TABLE OF CONTENTS

	page		page
BODY CODE PLATE		TORQUE REFERENCES	
DESCRIPTION	1	DESCRIPTION	8
FASTENER IDENTIFICATION		VEHICLE IDENTIFICATION NUMBER	
DESCRIPTION	2	DESCRIPTION	9
FASTENER USAGE		VEHICLE CERTIFICATION LABEL	
DESCRIPTION		DESCRIPTION	11
FASTENER USAGE	5	E-MARK LABEL	
THREADED HOLE REPAIR	5	DESCRIPTION	11
INTERNATIONAL SYMBOLS		VECI LABEL	
DESCRIPTION	5	DESCRIPTION	11
METRIC SYSTEM		MANUFACTURER PLATE	
DESCRIPTION	6	DESCRIPTION	11

BODY CODE PLATE

DESCRIPTION

The Body Code Plate (Fig. 1) is located in the engine compartment on the radiator closure panel crossmember. There are seven lines of information on the body code plate. Lines 4, 5, 6, and 7 are not used to define service information. Information reads from left to right, starting with line 3 in the center of the plate to line 1 at the bottom of the plate.

BODY CODE PLATE – LINE 3

DIGITS 1 THROUGH 12

Vehicle Order Number

DIGITS 13 THROUGH 17

Open Space

DIGITS 18 AND 19

Vehicle Shell Line

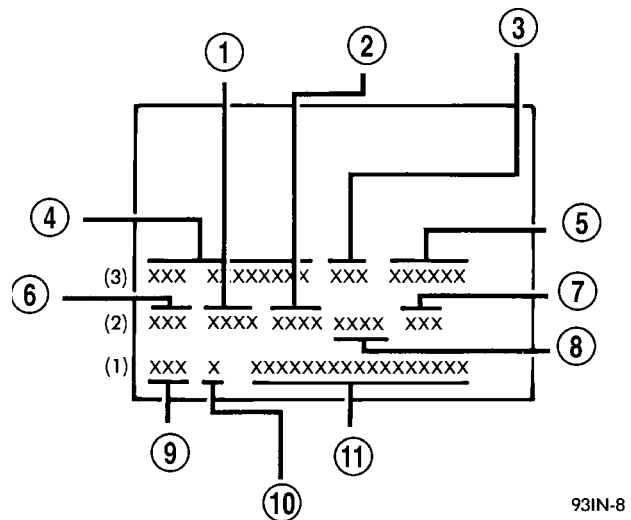
- RS

DIGIT 20

Carline

FWD

- K = Dodge
- Y = Chrysler



93IN-8

Fig. 1 BODY CODE PLATE

- 1 - PRIMARY PAINT
- 2 - SECONDARY PAINT
- 3 - VINYL ROOF
- 4 - VEHICLE ORDER NUMBER
- 5 - CAR LINE SHELL
- 6 - PAINT PROCEDURE
- 7 - ENGINE
- 8 - TRIM
- 9 - TRANSMISSION
- 10 - MARKET
- 11 - VIN

AWD

- C = Chrysler
- D = Dodge